



<b>DATE ISSUED:</b>	August 9, 2023
<b>REVISION #:</b>	001
<b>SUPERSEDES:</b>	August 07, 2023
<b>APPROVED BY:</b>	Tomasz Kolodziej

<b>Product Brand Name:</b>	New Zealand Beef
<b>Product Description:</b>	PS Grass Fed Chuck Roll 3KG OV VP CH
<b>Product Code:</b>	28195
<b>UPC #</b>	N/A
<b>GTIN #</b>	99418220394689
<b>Product Attributes</b>	Grass fed, Pasture Raised, No Antibiotics ever, No Added Hormones, Halal Certified, Non-Kosher
<b>Raw Material Country of Origin</b>	New Zealand
<b>NAMP Code</b>	116A

<b>Ingredients:</b>	Beef	<b>ALLERGEN : NONE</b>
<b>Raw Material Code:</b>	N/A	

### Packaging Specification

Packaging Material:		<h2 style="margin: 0;">Nutrition Facts</h2> <p style="margin: 0;">0 servings per container</p> <p style="margin: 0;"><b>Serving size</b> <span style="float: right;"><b>4oz (112g)</b></span></p> <hr style="border: 2px solid black;"/> <p style="margin: 0; font-size: small;">Amount per serving</p> <p style="margin: 0;"><b>Calories</b> <span style="float: right;"><b>000</b></span></p> <hr style="border: 2px solid black;"/> <p style="margin: 0; text-align: right; font-size: x-small;">% Daily Value*</p> <p style="margin: 0;"><b>Total Fat</b> 0g <span style="float: right;">0%</span></p> <p style="margin: 0; padding-left: 20px;">Saturated Fat 0g <span style="float: right;">0%</span></p> <p style="margin: 0; padding-left: 20px;">Trans Fat 0g</p> <p style="margin: 0;"><b>Cholesterol</b> 0mg <span style="float: right;">0%</span></p> <p style="margin: 0;"><b>Sodium</b> 0mg <span style="float: right;">0%</span></p> <p style="margin: 0;"><b>Total Carbohydrate</b> 0g <span style="float: right;">0%</span></p> <p style="margin: 0; padding-left: 20px;">Dietary Fiber 0g <span style="float: right;">0%</span></p> <p style="margin: 0; padding-left: 20px;">Total Sugars 0g</p> <p style="margin: 0; padding-left: 40px;">Includes 0g Added Sugars <span style="float: right;">0%</span></p> <p style="margin: 0;"><b>Protein</b> 0g</p> <hr style="border: 2px solid black;"/> <p style="margin: 0; font-size: x-small;">Vitamin D 0mcg <span style="float: right;">0%</span></p> <p style="margin: 0; font-size: x-small;">Calcium 0mg <span style="float: right;">0%</span></p> <p style="margin: 0; font-size: x-small;">Iron 0mg <span style="float: right;">0%</span></p> <p style="margin: 0; font-size: x-small;">Potassium 0mg <span style="float: right;">0%</span></p> <p style="margin: 0; font-size: x-small;">*The % Daily Value (DV) tells you how much a nutrient in a serving of food contributes to a daily diet. 2,000 calories a day is used for general nutrition advice.</p>
Primary Packaging	Clear Vacuum Pack	
Secondary Packaging	SFF Lamb Cased	
Master Case Dimensions (LxWxH):	21"x 13.5"x 7"	
Cube:	1.15ft <sup>3</sup>	
Pieces per selling unit:	1	
Selling units per master case:	3	
Master Case Net Weight:	19.84 – 61.73 lbs <span style="float: right; font-size: small;">Catch wt.</span>	
Master Case Gross Weight:	20.874 – 62.76 lbs	
Primary Packaging Tare (w/ labels)	.04 lbs x 3 pks <span style="float: right; vertical-align: middle;">1.034 lbs</span>	
Secondary Packaging Tare (w/ labels)	.914 lbs	
Pallet Configuration	5x7	
Number of cases per pallet	35	
Product Shelf Life (from pack date)	120 Days	
Packed on Date	3/1/2023	
Best Before Date	6/29/2023	
Storage:	<i>Keep Refrigerated</i>	

### Cut Specification


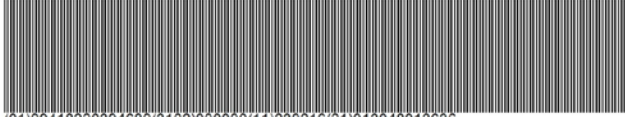
<b>Thickness</b>	N/A
<b>Weight Range</b>	>6.61 lbs
<b>Trim</b>	Removed from the forequarter by a cut between the 4th and 5th ribs and includes two cervical vertebrae. The Chuck Roll has a tail length of 75mm measured from the eye of the meat.



<b>DATE ISSUED:</b>	August 9, 2023
<b>REVISION #:</b>	001
<b>SUPERSEDES:</b>	August 07, 2023
<b>APPROVED BY:</b>	Tomasz Kolodziej

## Product Specification Sheet

### 28195 - New Zealand Beef PS Grass Fed Chuck Roll 3KG OV VP CH

<p>Primary Packaging (front with labels)</p> <div data-bbox="306 548 570 699" style="border: 1px solid black; padding: 5px; text-align: center;"> <p><b>Need updated product picture with labels</b></p> </div>	<p>Primary Packaging – back of the package</p> <div data-bbox="1057 548 1320 699" style="border: 1px solid black; padding: 5px; text-align: center;"> <p><b>Need updated product picture with labels</b></p> </div>
<p>Open Product</p>	<p>Master Case - Packaging</p>
<div data-bbox="306 978 570 1129" style="border: 1px solid black; padding: 5px; text-align: center;"> <p><b>Need updated product picture with labels</b></p> </div>	<div data-bbox="1057 978 1320 1129" style="border: 1px solid black; padding: 5px; text-align: center;"> <p><b>Need updated product picture with labels</b></p> </div>
<p>Master Case Label</p>	<p>Skid Configuration</p>
<div data-bbox="87 1371 781 1856" style="border: 1px solid black; padding: 5px;"> <p><small>SILVER FERN FARMS LIMITED, DUNEDIN, NEW ZEALAND www.silverfernfarms.com</small></p> <p><b>BONELESS BEEF PS-GRASS FED CHUCK ROLL PRODUCT OF NEW ZEALAND NO ADDED GROWTH HORMONES KEEP REFRIGERATED</b></p> <div style="display: flex; justify-content: space-between; align-items: center;">  <div style="border: 1px solid black; padding: 5px; font-size: 2em; font-weight: bold;">1</div> </div>  <p><small>(01)99418220394689(3102)000000(11)230216(21)013048013636</small></p> <p><small>Prepared by: MEZAA</small>      <small>PRODUCTION/SLAUGHTER DATE:</small> 16 FEB 2023  <small>Silver Fern Farms Limited</small>      <small>PACK DATE:</small> 17 FEB 2023  <small>- Dunedin, 283 Princes</small>      <small>USE OR FREEZE BY:</small> 16 JUN 2023  <small>Street, Dunedin</small>      <small>FROZEN EXPIRY</small>  <small>NET WEIGHT</small>      <small>24 MONTHS FROM SLAUGHTER:</small> 16 FEB 2025</p> <p><b>0.01b</b>      <b>C28195</b>      <small>0000HR</small>  <b>0.00kg</b>      <small>SUPER 3636</small>      <b>ORDER</b></p> </div>	



<b>DATE ISSUED:</b>	August 9, 2023
<b>REVISION #:</b>	001
<b>SUPERSEDES:</b>	August 07, 2023
<b>APPROVED BY:</b>	Tomasz Kolodziej

		<b>Revision Footnote</b>	<b>Approved by:</b>	<b>Tomasz Kolodziej</b>
<b>Rev#</b>	<b>Date</b>	<b>Descriptions</b>		
000	08/07/2023	Document Created	Created By:	Walter McClure
001	08/09/2023	1. Added Master Case information (updated Dimension & weights) 2. Added sample pallet image.	Revised By:	Walter McClure