



DATE ISSUED:	October 23, 2023
REVISION #:	000
SUPERSEDES:	New
APPROVED BY:	Tomasz Kolodziej

Product Brand Name:	Silver Fern Farms
Product Description (GP)	PS-Grass Fed Angus B100 Flap Meat 4VP FZ
Product Code (GP)	24351
UPC #	N/A
GTIN #	99418220419948
Product Attributes	Grass fed, Pasture Raised, No Antibiotics, No Added Hormones, Halal Certified, Non-Kosher
Country of Original Label	New Zealand
NAMP Code	185A
Market	United States

Ingredients:	Beef	ALLERGEN : NONE
Raw Material Code:	N/A	

Packaging Specification

Packaging Material:	
Primary Packaging	V/BAG PL4057 PLAIN LGD 400X575 50UM A600
Secondary Packaging	CTN LID BL50A BEEF / BASE BB160A PLAIN
Master Case Dimensions (Inches) (L x W x H):	20.75" x 13.35" x 6.30"
Cubic Feet	1.01ft ³
Units per Piece	4
Pieces Per Master Case	1
Master Case Net Weight:	1.1 – 61.73 lbs
Master Case Gross Weight:	TBD
Primary Packaging Tare (w/ labels)	TBD
Secondary Packaging Tare (w/ labels)	TBD
Total Packaging Tare	TBD
Weight Type	Catch Weight
Pallet Configuration (Ti x Hi)	5x7
Number of cases per pallet	35
Product Shelf Days (from pack date)	24 months
Production Launch Date	N/A
Storage:	<i>Keep Frozen</i>

Nutrition Facts

0 servings per container

Serving size 4oz (112g)

Amount per serving

Calories 000

% Daily Value*

Total Fat 0g 0%

Saturated Fat 0g 0%

Trans Fat 0g

Cholesterol 0mg 0%

Sodium 0mg 0%

Total Carbohydrate 0g 0%

Dietary Fiber 0g 0%

Total Sugars 0g

Includes 0g Added Sugars 0%

Protein 0g

Vitamin D 0mcg 0%

Calcium 0mg 0%

Iron 0mg 0%

Potassium 0mg 0%

*The % Daily Value (DV) tells you how much a nutrient in a serving of food contributes to a daily diet. 2,000 calories a day is used for general nutrition advice.



DATE ISSUED:	October 23, 2023
REVISION #:	000
SUPERSEDES:	New
APPROVED BY:	Tomasz Kolodziej

Cut Specification

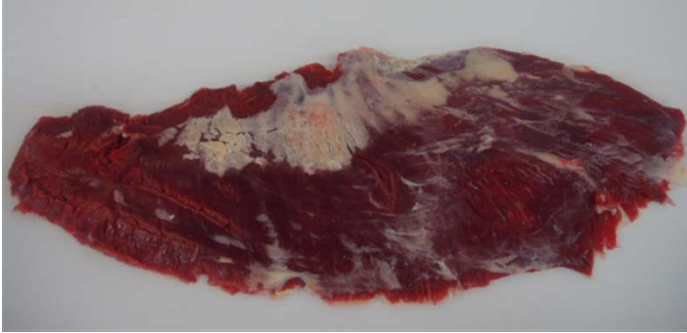
Product Class	9000	Product Category (Cuts)	FROZEN NZ BEEF/FLAP
----------------------	------	--------------------------------	---------------------

Supplier Name	SKU#	Description
Supplier Name	SKU#	Description
Supplier Name	SKU#	Description
Supplier Name	SKU#	Description
Supplier Name	SKU#	Description
Supplier Name	SKU#	Description

Thickness	N/A
Weight Range	N/A
Trim	<p>This is prepared from the internal flank plate. Flap meat is removed from thin flank following natural shape of muscle. Fat from all surfaces is trimmed to the blue membrane.</p> <ol style="list-style-type: none"> 1. Natural shape of muscle followed 2. Trimmed to blue membrane

24351 – Silver Fern Farms PS-Grass Fed Angus B100 Flap Meat 4VP FZ

Primary Packaging (front with labels)



Open Product

Need updated
product picture
with labels

Primary Packaging – back of the package



Master Case - Packaging

Need updated
product picture
with labels

Master Case Label

SILVER FERN FARMS LIMITED, DUNEDIN, NEW ZEALAND www.silverfernfarms.com

**BONELESS BEEF PS-GRASS FED
FLAP MEAT
PRODUCT OF NEW ZEALAND**

KEEP FROZEN

100% GRASS FED
RAISED WITHOUT ANTIBIOTICS
NO ADDED GROWTH HORMONES
NO FEEDLOTS EVER

1

REPRODUCES A REAL MEAT
REQUIREMENTS WITH
THE NON-GMO PROJECT
LOGO. THE NON-GMO PROJECT
IS AN INDUSTRY LEADER IN
ENGINEERED INGREDIENTS.

**NON-GMO
PROJECT**

VERIFIED
nongmoproject.org

(01)99418220419948(3102)000000(11)230920(21)013264013636

Prepared by: ME##
Silver Fern Farms Limited
- Dunedin, 283 Princes
Street, Dunedin

PRODUCTION/SLAUGHTER DATE: 20 SEP 2023
PACK DATE: 21 SEP 2023
BEST BEFORE: 20 SEP 2025

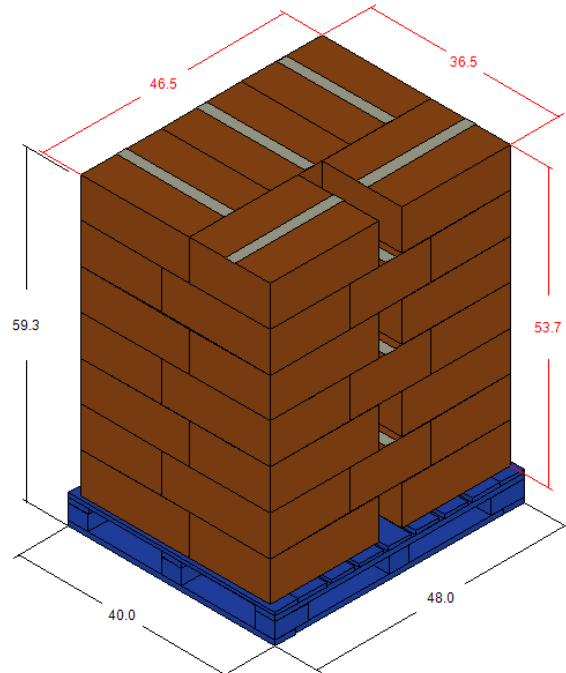
NET WEIGHT: 0.01lb / 0.00kg

F 24351

[H] 3636 0000HR SUPER

حلال HALAL NZ
PCS: 1

Skid Configuration





DATE ISSUED:	October 23, 2023
REVISION #:	000
SUPERSEDES:	New
APPROVED BY:	Tomasz Kolodziej

		Revision Footnote	Approved by:	Tomasz Kolodziej
Rev#	Date	Descriptions		
000	10/23/2023	Document Created	Created By:	Walter McClure